



INSTALLATION INSTRUCTIONS

SOUNDPLANE 1.5 SOUNDPLANE MICRO

Suspended | Ceiling

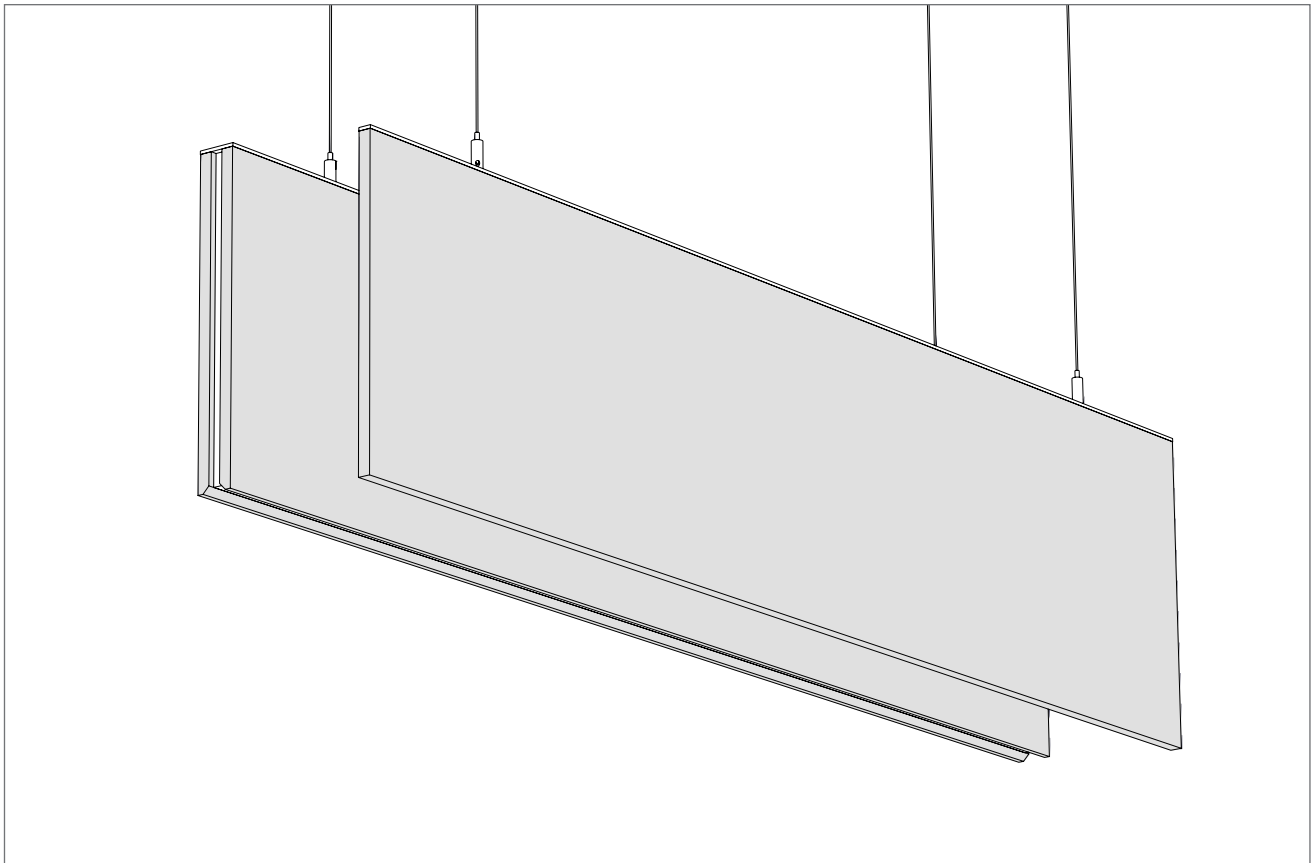
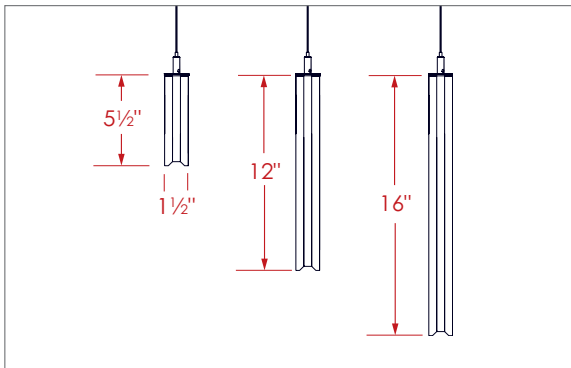
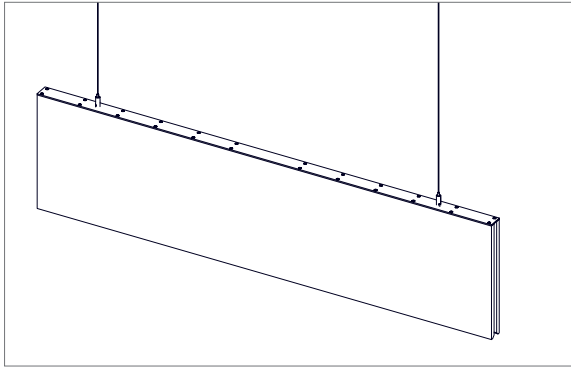


Table of Contents

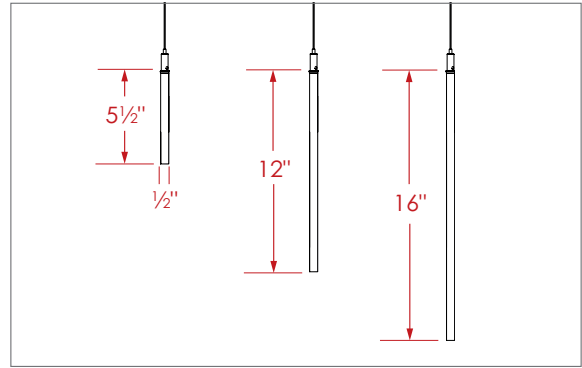
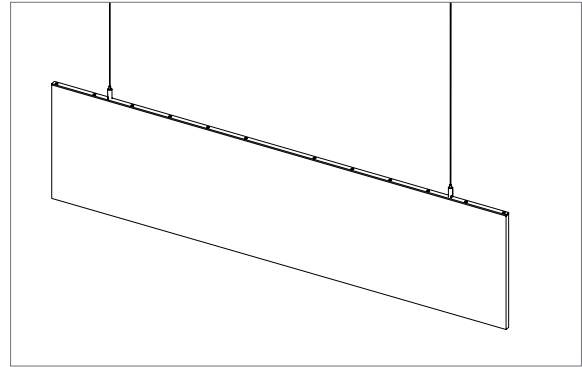
Luminaire Overview	3
Diagram	3
Included Parts	3
Parts (by others)	3
Tools Required	3
Quick Specs	3
Installation	4
Prepare Ceiling	4
Suspension	5

Luminaire Overview

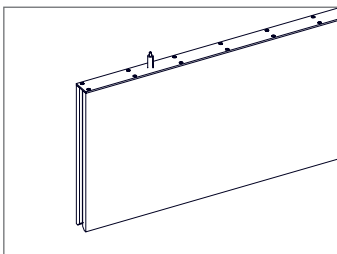
Soundplane 1.5



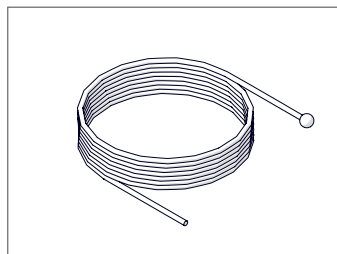
Soundplane Micro



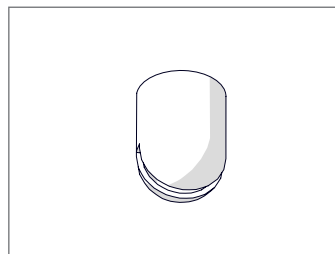
Included Parts



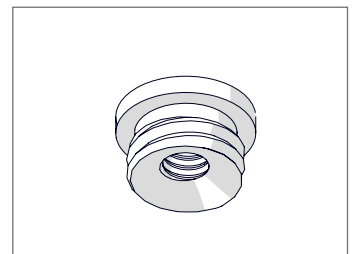
SoundPlane 1.5 Fixture



Suspension Cable



Suspension Bullet



Ceiling Fitting

Parts (by others)

- #10 wood screws (min. 2")
- 1/4"-20 Threaded Rod
- #10 toggle bolt

Tools Required

- Drill
- #2 phillips bit
- Screwdriver
- 1/8" Allen key
- Level

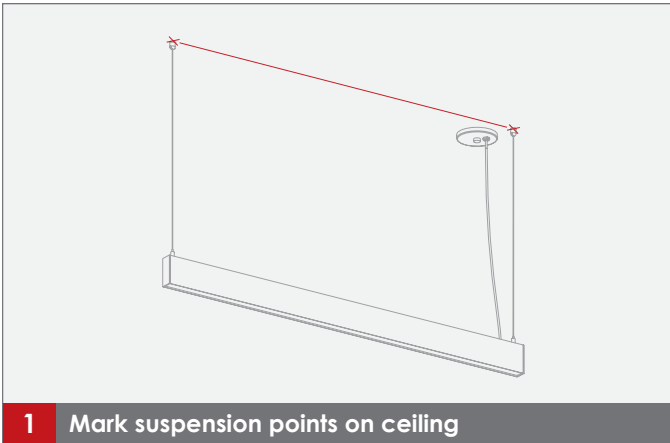
Quick Specs

Ambient Temperature:
-4° – 120°F (-20° – 50°C)

Environment:
Dry and damp locations

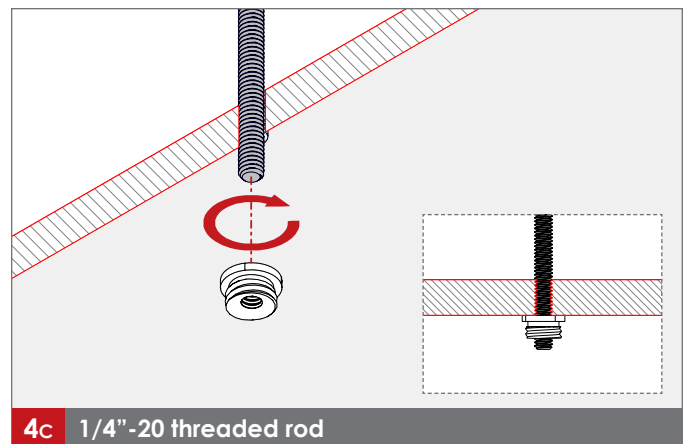
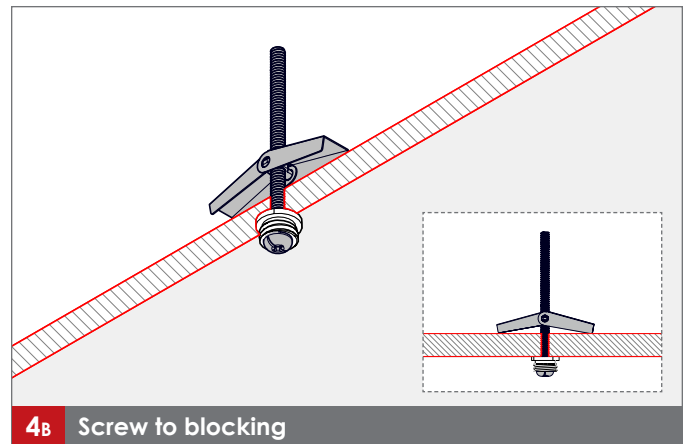
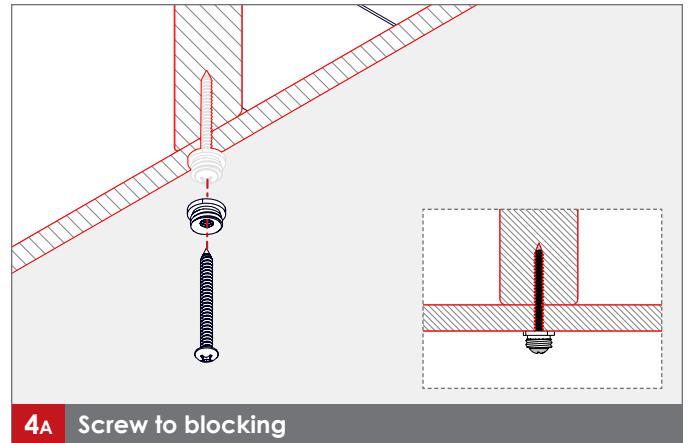
Fire-rated PET Polyester Fiber Panels:
Conforms to ASTM E84 Class A
Conforms to EN13501-1 Class B

Installation: Prepare Ceiling

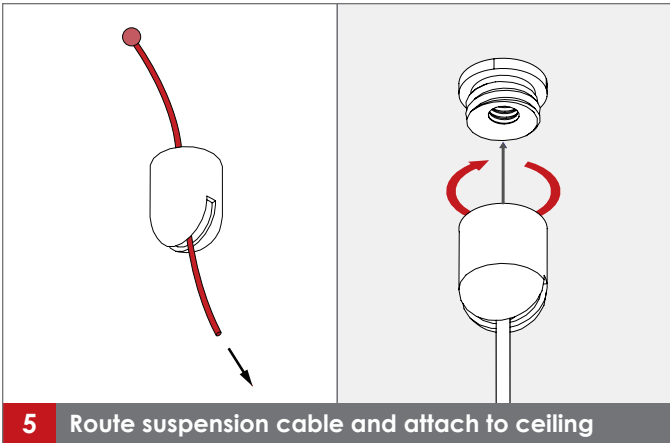


Mark intended suspension points based on dimensions provided in submittal drawings for fixture.

Mount ceiling fitting to ceiling at marked locations using one of the methods shown below. **If using a combo canopy for both power entry and suspension, see page 9.**

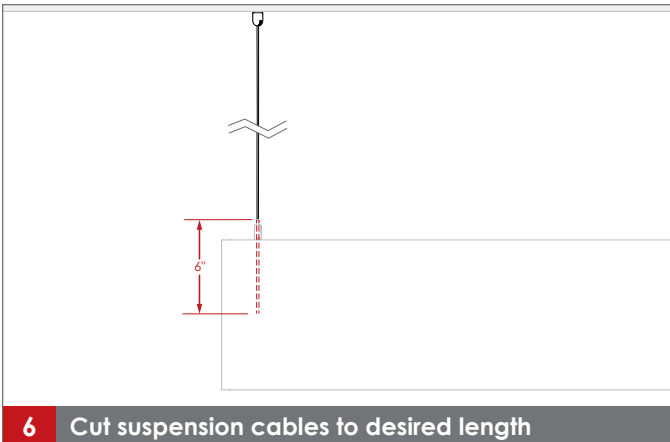


Installation: Suspension



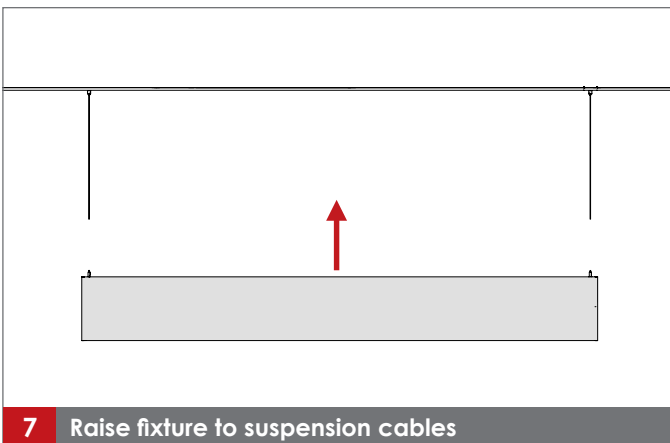
5 Route suspension cable and attach to ceiling

Route suspension cable through suspension bullet. Ball end should sit in suspension bullet. Screw suspension bullet to ceiling fitting.



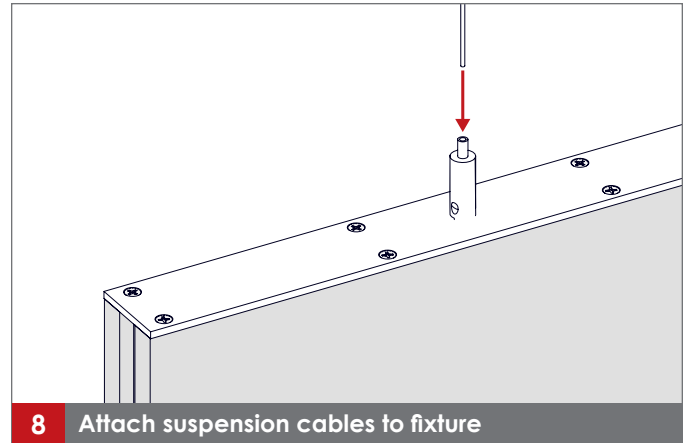
6 Cut suspension cables to desired length

Use wire snips or shears to cut suspension cables to desired length. Keep an extra 6 inches of cable for adjustments



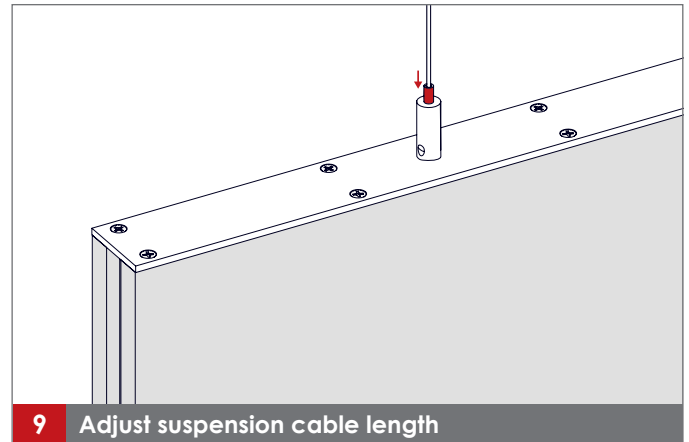
7 Raise fixture to suspension cables

Raise fixture to suspension cables.



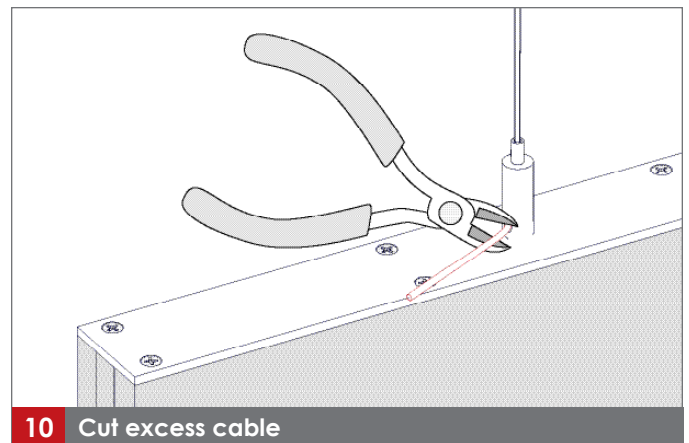
8 Attach suspension cables to fixture

Insert suspension cable through cable grippers.



9 Adjust suspension cable length

Adjust fixture until it is level and at desired height. Depress the top of cable gripper to lower fixture. Keep fixture supported while lowering.



10 Cut excess cable

With fixture level and at desired height, cut excess cable extending from cable gripper.